



PMI-Technology Sdn Bhd
Company No. 568062-K

YOUR SOLUTION PARTNER FOR SOLID/LIQUID FILTRATION TECHNOLOGY



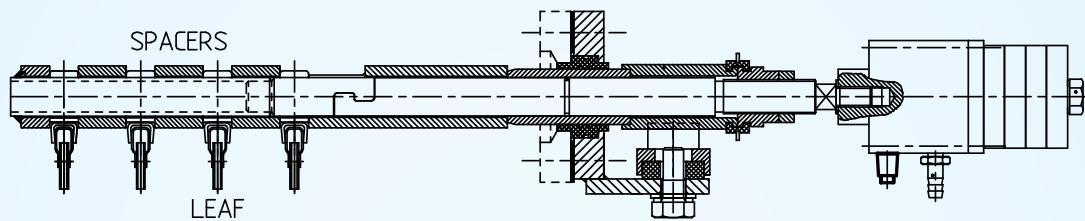
- Fully retractable bundle
- Features for maximum convenience in operation and maintenance
- Large filtration area

Pressure Leaf Horizontal Type PLH(D) / PLH(W) Filter

PLH (D) / PLH (W) – Dry or Wet Cake Discharge Filter

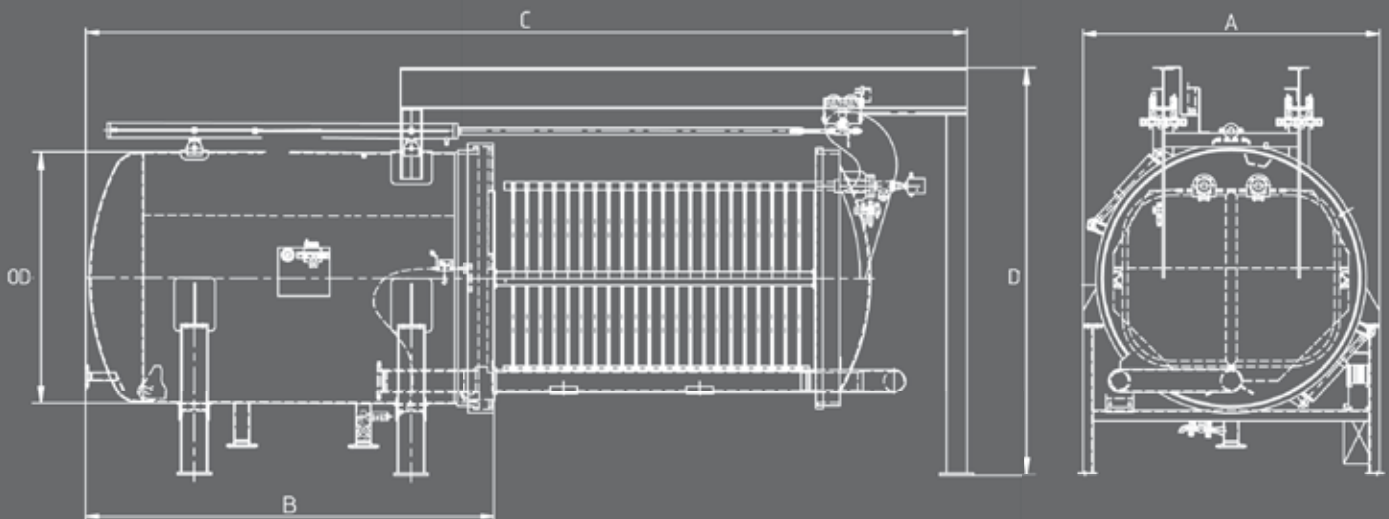
Type PLH (D)/(W)	Shell OD (mm)	Filter Area (m ²)	Number of Leaves	Leaf Pitch (mm)	Filter Volume (m ³)	Weight (kg)	A (mm)	B (mm)	C (mm)	D (mm)
900/5.5/7	900	5.5	7	100	0.8	800	1150	1100	2550	1800
900/10/13	900	9.5	13	100	1.1	1100	1150	1700	3750	1800
1250/12/8	1250	12.5	8	100	1.3	1500	1500	1300	2800	2000
1250/15/10	1250	15	10	100	1.8	1700	1500	1500	3200	2000
1250/20/14	1250	20	14	100	2.3	1900	1500	1900	4000	2000
1250/25/17	1250	25	17	100	2.7	2050	1500	2200	4600	2000
1250/30/20	1250	30	20	100	3.1	2200	1500	2500	5200	2000
1650/40/16	1650	40	16	100	4.4	2500	2000	2100	4700	2400
1650/50/20	1650	50	20	100	5.2	2750	2000	2500	5500	2400
1650/60/24	1650	60	24	100	6	2410	2000	2900	6300	2400
1650/70/28	1650	70	28	100	6.8	3000	2000	3300	7100	2400
1650/80/32	1650	80	32	100	7.6	3250	2000	3700	7900	2400
1850/100/28	1850	100	28	100	11	6500	2300	3500	7200	2800
1850/125/35	1850	125	35	100	13	7200	2300	4200	8800	2800
2000/150/36	2000	150	36	100	14	7800	2600	4600	10000	3000
2000/175/42	2000	175	42	100	16	8150	2600	5200	11200	3000
2000/200/48	2000	200	48	100	18	8500	2600	5800	12400	3000

Vibrator Assembly – PLH (D)

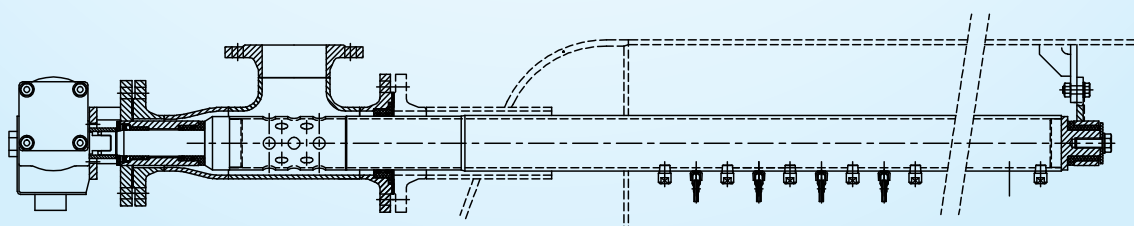


Vibrator assembly for dry cake discharge

Tank Assembly Detail

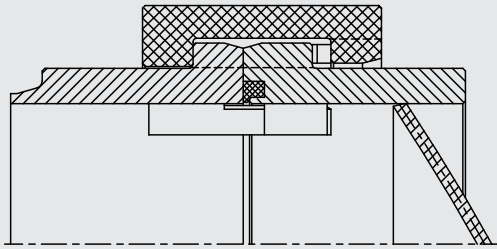


Pneumatic Oscillator – PLH (W)



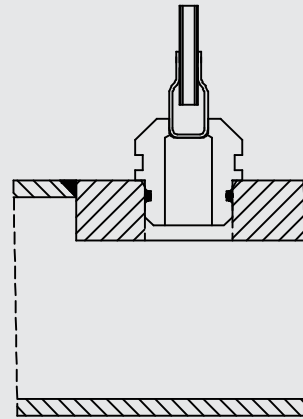
Pneumatic oscillator for wet cake discharge (hydraulic or electric drive)

Wedge Lock Bayonet Door Closure



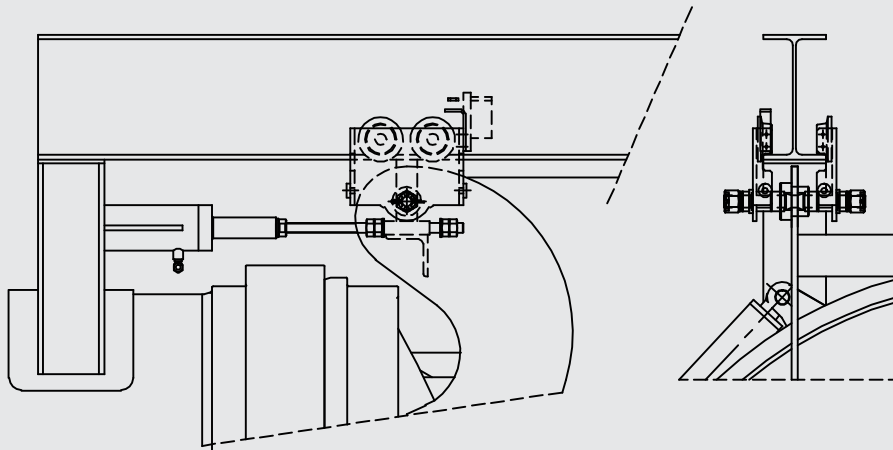
Wedge Lock, bayonet type closure

Filter Leaf Outlet Nozzle



Filter leaf outlet nozzle

Leaf Bundle Retraction Mechanism



Retraction mechanism: hand, hydraulic or mechanical
(motor retraction, gearwheel and rack)

Supply Scope Specifications:

Leaf Designs:

Leaf Types: 3-ply, 5-ply, riveted or bolted to application.

Filter Medium:

Metal screen or metal screen with filter cloth/media or needlefelt.

Design in accordance with ASME code Section VIII Div.1 or other design codes upon request.

Construction Materials:

Housing: Standard in Carbon Steel or Stainless Steel 304/304L, 316/316L, Duplex or SMO. In special cases, Carbon steel with lining, Rubber or Halar lined and Special Alloys upon request.

Leaves: Standard in 316L, 316S (NSCD/1.4539) or Duplex (1.4462). Full Polypropylene or other materials upon request.

Flanges:

Flanges are in accordance with DIN, ANSI or British Standard. Other standards also available, to specifications.

“

We are committed to global service support, providing comprehensive services to our clients all over the world. This includes year-round maintenance, prompt delivery of spare parts, site commissioning and installations.

”



One of our manufacturing plants in Ipoh, Malaysia

PMI offers a wide range of products, which include:

- Filter Presses, Pressure Leaf Filters, Reverse Pulse Filter, Cartridge Filters, Bag Filters, Nutsch Filters, Centri Filters, Tilting Filters, Level Leaf Filters, Agitators, Static Mixers.
- Pressure Vessels, Tanks and Silos, Columns, Towers, Dryers, Shell & Tube Heat Exchangers, Condensers, Heaters, Coolers, Reboilers, and General Steel & Stainless Steel Fabrication & Site Erection Works.



PMI-Technology Sdn Bhd
Company No. 568062-K

No. 17 & 19, Jalan Pengacara U1/48,
Temasya Industrial Park,
40150 Shah Alam,
Selangor Darul Ehsan, Malaysia.
Tel: +603 5569 3993/4240
Fax: +603 5569 3131
Email: info@pmi-group.com
www.pmi-group.com



Cert No. KLR6007966

Agent's Contact / Sales Person

